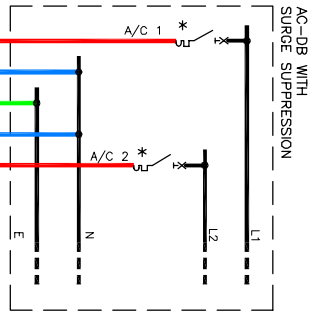
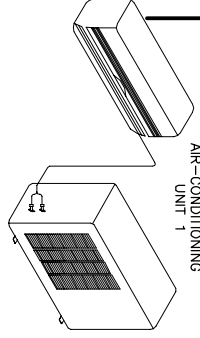


* CIRCUIT BREAKER, DISCONNECTOR
RATINGS & WIRE SIZE TO SUIT SPECIFIC
A/C PLANT REQUIREMENT. (SEE TABLE)

ACCU7056.4

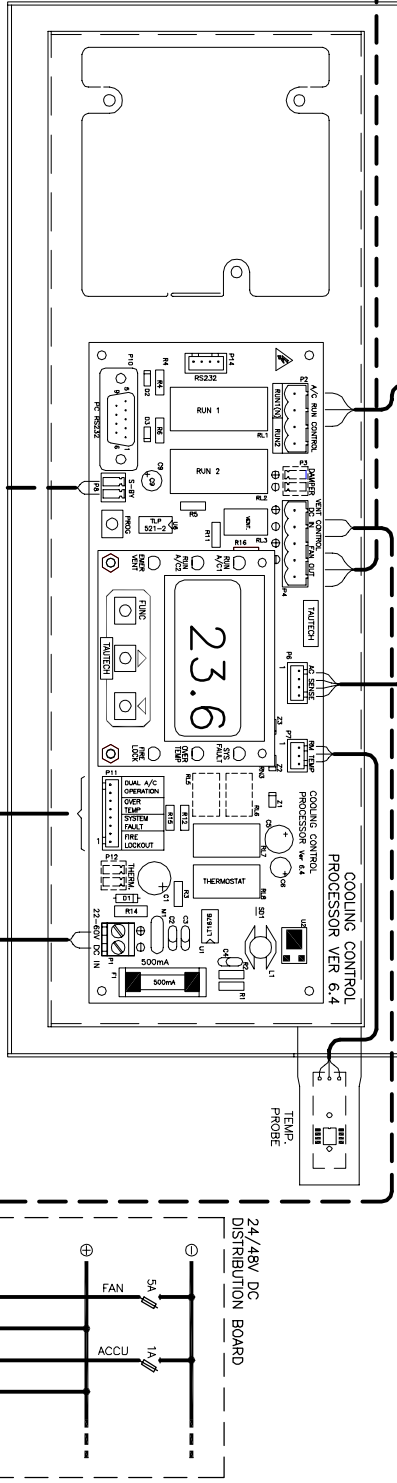
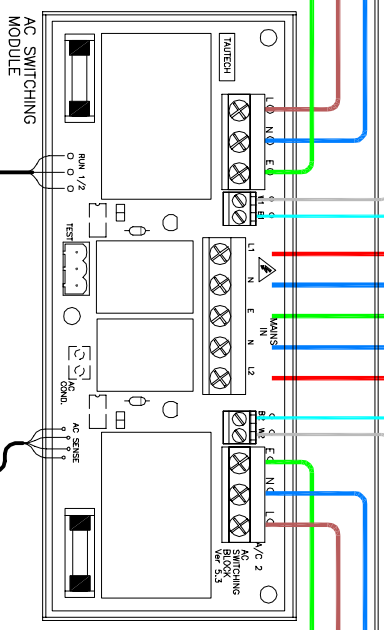
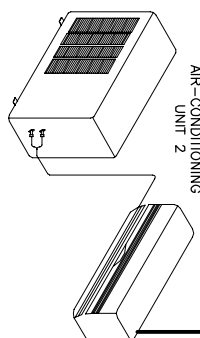
3-POLE
DISCONNECTOR

SPLIT TYPE
AIR-CONDITIONING
UNIT 1



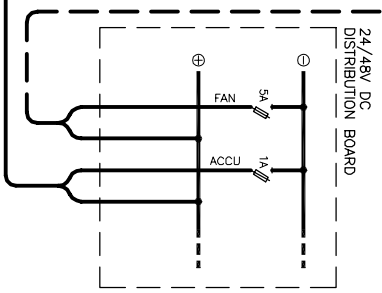
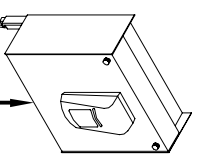
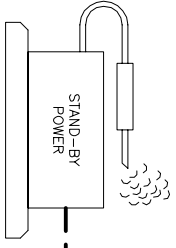
3-POLE
DISCONNECTOR

SPLIT TYPE
AIR-CONDITIONING
UNIT 2



RECOMMENDED
COMPONENT DIMENSIONING

COMPONENT	AIR-CONDITIONING UNIT
MCB (Amp 0-curve)	2.6kW 3.5kW 5.0kW
PLUG/SOCKET (Amp)	20 25 25
AC-DB TO ACCU WIRE (Cu-mm ²)	16 16 16
	2.5 2.5 4.0



ASSOCIATED DRAWINGS

No. Description

No.	Description	Ckd.
REVISIONS		
No. Dat.	Description	Ckd.



76 Annie Botha Ave PO Box 55699
Pretoria 0007
Pretoria
South Africa
Tel: (+27 12) 329-2814
Fax: (+27 12) 329-2817
E-mail: info@tautech.co.za

PROJECT:
**AIR-CONDITIONING
CONTROL UNIT**

TITLE:
**CONNECTION DIAGRAM FOR
16A DISCONNECTOR TYPE**

SCALE: N.T.S. DATE: OCT 2008

DESIGNED: A.J.V.R. APPROVED:

DRAWING NO.: **ACCU7056.4**

THE RIGHT TO USE THIS DRAWING IS ALLOWED TO THE
PURCHASER OR MANUFACTURER ON THE EXPRESS
UNDERSTANDING THAT IT IS USED TO DETAIL A
STANDARD PRODUCT AND THAT ALL STEPS SHALL BE
TAKEN TO PROTECT THIS DESIGN TO ITS OWNERS.

