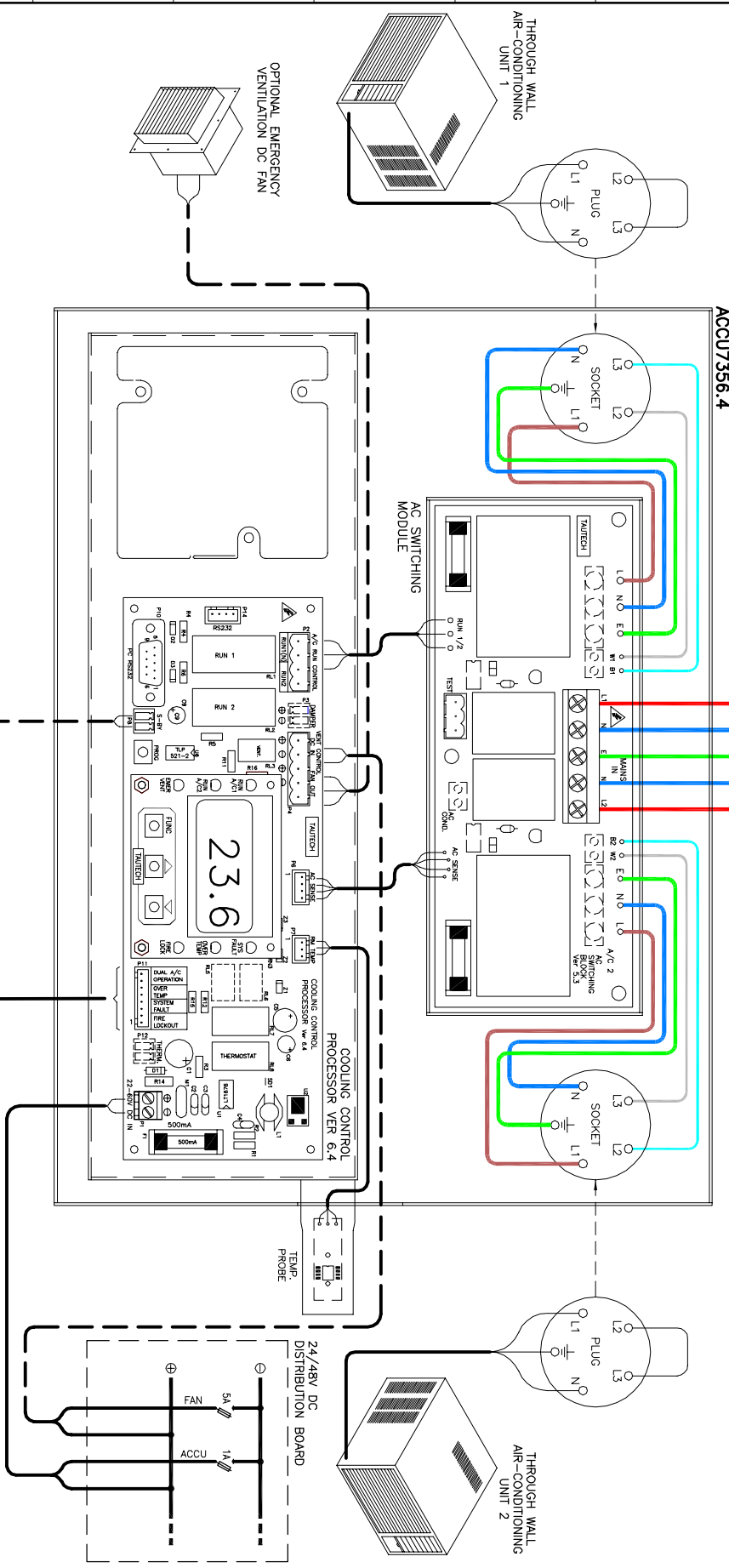
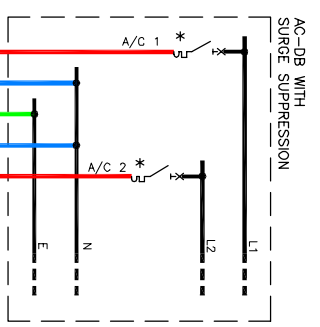


ASSOCIATED DRAWINGS

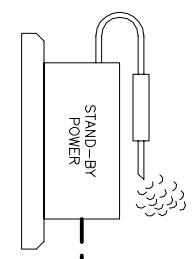
No.	Description

\* CIRCUIT BREAKER, DISCONNECTOR RATINGS & WIRE SIZE TO SUIT SPECIFIC A/C PLANT REQUIREMENT. (SEE TABLE)



RECOMMENDED COMPONENT DIMENSIONING

AIR-CONDITIONING UNIT	2.6kW (3.5kW (5.0kW)
MCB (Amp 0-curve)	20 25 25
PLUG/SOCKET (Amp)	16 16 16
AC-DB TO ACCU WIRE (Cu-mm <sup>2</sup> )	2.5 2.5 4.0



YELLOW	GREEN
WHITE	BLACK
RED	BLUE
PURPLE	BROWN

THE RIGHT TO USE THIS DRAWING IS ALLOWED TO THE PURCHASER OR MANUFACTURER ON THE EXPRESS UNDERSTANDING THAT IT IS USED TO DETAIL A STANDARD PRODUCT AND THAT ALL STEPS SHALL BE TAKEN TO PROTECT THIS DESIGN TO ITS OWNERS.

**Tautech** (Pty) Ltd  
 76 Annie Botha Ave PO Box 55699  
 Pretoria, SOUTH AFRICA Pretoria 0007  
 Tel: (+27 12) 329-2614 Fax: (+27 12) 329-2617  
 E-mail: info@tautech.co.za

CUSTOMER:      PROJECT: **AIR-CONDITIONING CONTROL UNIT**

TITLE: **CONNECTION DIAGRAM FOR 32A PLUG-IN TYPE**

SCALE: N.T.S.      DATE: OCT 2008

DESIGNED: A.J.V.R.      APPROVED:      DRAWING NO.: **ACCU7356.4 T**

No. Dat.	Description	Chd.
REVISIONS		